

# Service manual

## Prover2-ED 60/40 230V 50 Hz

**Version:**

**Ident:**

**Series:**

**Part-Number: 0700\_A**

**This part can be ordered.**



### Chapter

105575 - climate control IS100 Prover2-ED 60/40 230V 50Hz - V:

door complete Prover2-ED 60/40 230V 50 Hz - V:

frame Prover2-ED 60/40 230V 50 Hz - V:

tray runners Prover2-ED complete (2x10) Prover2-ED 60/40 230V 50 Hz - V:

105387 - water-energy-unit Prover2-ED 60/40 230V 50 Hz - V:

# Service manual climate control IS100 Prover2-ED 60/40 230V 50Hz

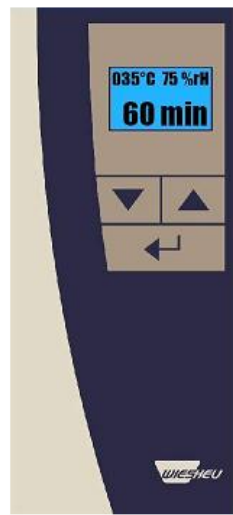
**Version:**

**Ident:**

**Series:**

**Part-Number: 105575**

**This part can be ordered.**



## Chapter

105575 - IS control 100

## Part: IS control 100

**Part-Number: 105575**

To avoid moisture admittance from the operating side the display and the frame of the oven are water proofed and sealed. Please advise your customer that the control and the display of the oven should only be cleaned with a soft dry cloth.



# Service manual

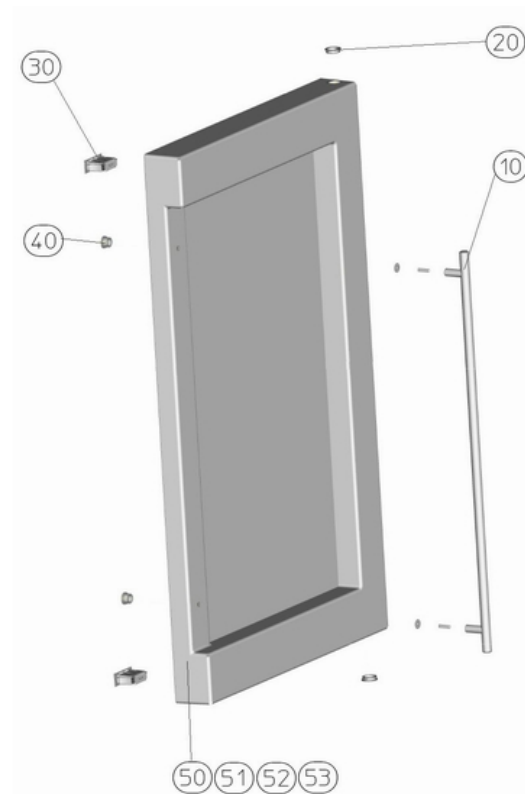
## door complete Prover2-ED 60/40 230V 50 Hz

Version:

Ident:

Series:

Part-Number:



### Chapter

- [010] - 102808 - handle GS20/GS2-ED
- [020] - 102812 - bush bearing
- [030] - 102807 - vice action latch (door)
- [040] - 34297 - plug (door)
- [050] - 105046 - Door, left GS2-ED
- [051] - 105044 - Door, left with cutout GS2-ED
- [052] - 105047 - Door right GS2-ED
- [053] - 105045 - Door right with cutout GS2-ED

## Part: handle GS20/GS2-ED

**Part-Number: 102808**

To prevent damage ensure that both door handles are securely fastened. The door handle is secured with screw M4X10 article number 42392 and washer article number 42209. Additionally the handle is secured with Locite 243 article number 61905.



---

## Part: bush bearing

**Part-Number: 102812**

To ensure the proofer door opens and closes properly check the door bearings.



## Part: vice action latch (door)

**Part-Number: 102807**

If the door lock needs to be re set, loosen the screws around the door latch. Thanks to the slotted holes the door can be easily adjusted. Only a correctly aligned door can guarantee the necessary door seal which results in optimal proofing.



---

## Part: plug (door)

**Part-Number: 34297**



---

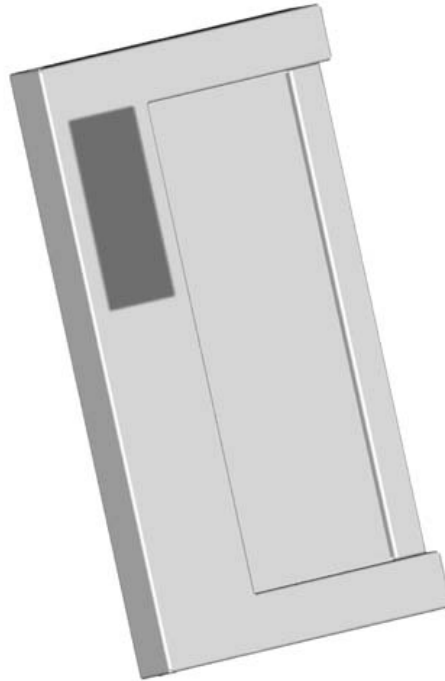
## Part: Door, left GS2-ED

**Part-Number: 105046**



**Part: Door, left with cutout GS2-ED**

**Part-Number: 105044**



---

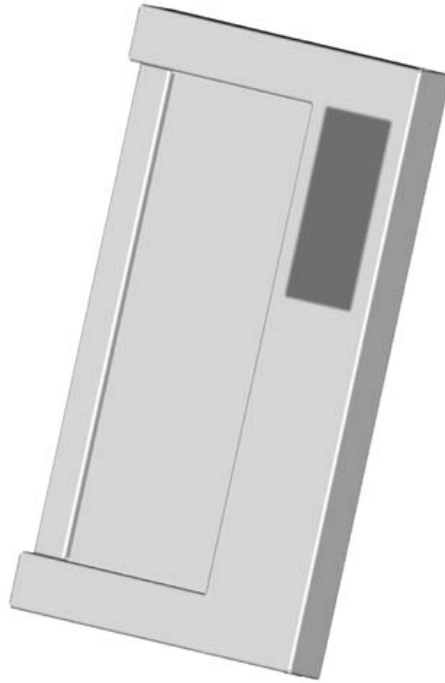
**Part: Door right GS2-ED**

**Part-Number: 105047**



**Part: Door right with cutout GS2-ED**

**Part-Number: 105045**





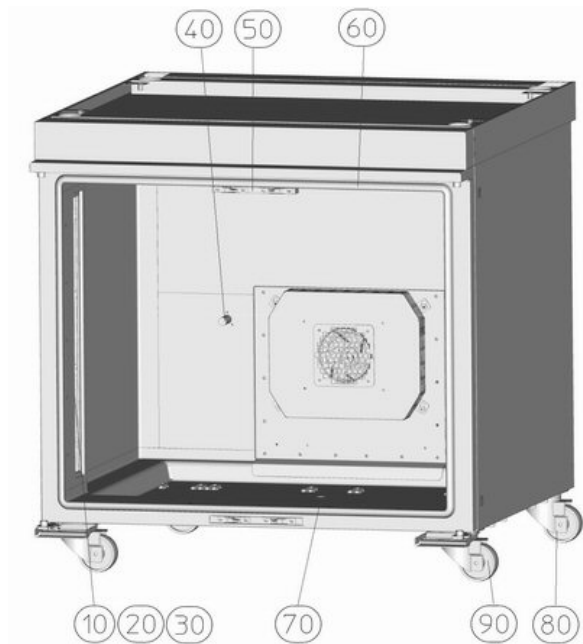
# Service manual frame Prover2-ED 60/40 230V 50 Hz

Version:

Ident:

Series:

Part-Number:



## Chapter

- [010] - 102567 - halogen socket
- [020] - 101731 - halogen lamp 12V 10W
- [030] - 33042 - porcelain clamp 2-pole 10A
- [040] - 105669 - dual probe
- [050] - 102807 - vice action latch (door)
- [060] - 38605 - door seal
- [070] - 36149 - plug for water tray
- [080] - 9050-110-002 - castor
- [090] - 9050-110-001 - castor with brakes

## Part: halogen socket

**Part-Number: 102567**

Check the porcelain lamp holders and cables for damage. Please do not squeeze or kink the cable.



---

## Part: halogen lamp 12V 10W

**Part-Number: 101731**

When changing the halogen lamps please make sure that the lamps do not come in contact with hand sweat. Hand sweat will burn into the glass bulb and reduces the life of the halogen lamp. Please use the appropriate gloves.



---

## Part: porcelain clamp 2-pole 10A

**Part-Number: 33042**

Check the porcelain lamp holders and cables for damage. Please do not squeeze or kink the cable.



## Part: dual probe

**Part-Number: 105669**

The combi sensor measures the moisture and proofer chamber temperature. When installing make sure the slits are always facing down so that moisture will not settle on the measuring points giving off wrong readings.



---

## Part: vice action latch (door)

**Part-Number: 102807**

If the door lock needs to be re set, loosen the screws around the door latch. Thanks to the slotted holes the door can be easily adjusted. Only a correctly aligned door can guarantee the necessary door seal which results in optimal proofing.



---

## Part: door seal

**Part-Number: 38605**

The door seal is glued with transparent heat resistant silicone (order number 60375) around the radii on the corners and long distances in between. Should the door seal be exchanged then all the silicone must be removed by using a knife. Clean the door tracks and any silicone particles. Make sure when placing the new seal that it is completely in the frame. The seal needs to be pressed around the connecting piece on the top and bottom and in front of the oven with a broach so that it can "breathe". The door seal is a spare part and can be ordered under the number 38605.



## Part: plug for water tray

**Part-Number: 36149**

The plug in the water tub seals the cleaning opening of the proofer. To maintain an optimal climate in the proofer it is necessary to make sure that the plug is always closed when operating the proofer.



---

## Part: castor

**Part-Number: 9050-110-002**

To allow a simple driving out for maintenance, the wheels should be positioned in the direction of motion so that the wheels do not get stuck.



---

## Part: castor with brakes

**Part-Number: 9050-110-001**

To allow a simple driving out for maintenance, the wheels should be positioned in the direction of motion so that the wheels do not get stuck.



# **Servicemanual**

## **tray runners Prover2-ED complete (2x10) Prover2-ED 60/40 230V 50 Hz**

**Version:**

**Ident:**

**Series:**

**Part-Number:**

### **Chapter**

[001] - 102551 - tray runners GS2-ED complete (2x10)

[010] - 103024 - tray runners GS-ED, 10 trays left

[020] - 103025 - tray runners GS-ED, 10 trays right

[030] - 105170 - tray runners GS2-ED complete, wide trays

**Part: tray runners GS2-ED complete (2x10)****Part-Number: 102551**

---

**Part: tray runners GS-ED, 10 trays left****Part-Number: 103024**

To remove the racks. lift the bottom of the rack upwards. over the plastic securing brackets and pull out sideways. To insert the racks. hook them into the top plastic fasteners first and then affix them to the bottom plastic fasteners.

---

**Part: tray runners GS-ED, 10 trays right****Part-Number: 103025**

To remove the racks. lift the bottom of the rack upwards. over the plastic securing brackets and pull out sideways. To insert the racks. hook them into the top plastic fasteners first and then affix them to the bottom plastic fasteners.

---

**Part: tray runners GS2-ED complete, wide trays****Part-Number: 105170**

---

# Service manual water-energy-unit Prover2-ED 60/40 230V 50 Hz

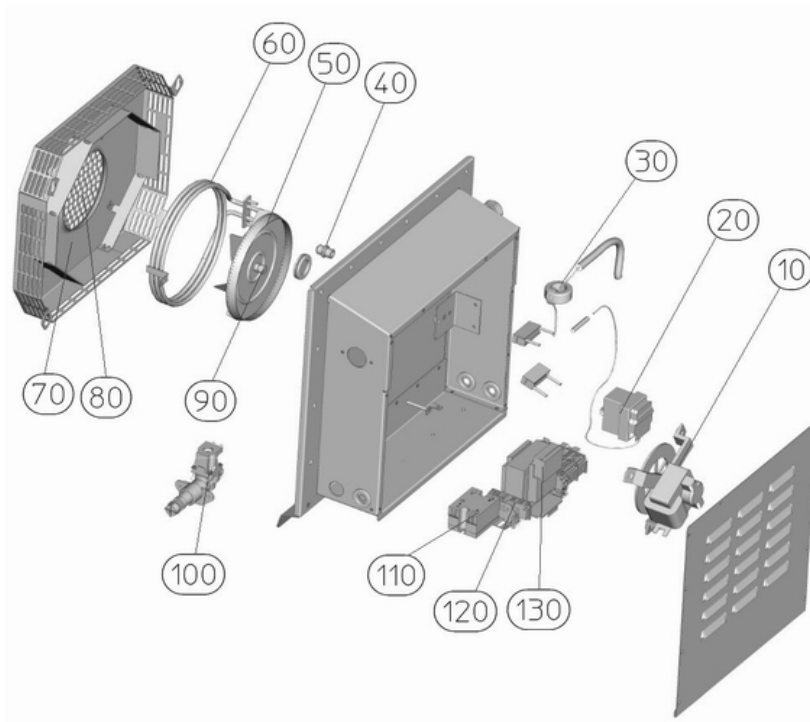
**Version:**

**Ident:**

**Series:**

**Part-Number: 105387**

**This part can be ordered.**



## Chapter

- [010] - 36106 - motor
- [020] - 102696 - safety limit switch
- [030] - 33372 - suppressor element
- [040] - 102530 - screwing with spray nozzle
- [050] - 102859 - vaporizer
- [060] - 103551 - heating 2000 W
- [070] - 105388 - ventilation cover
- [080] - 105786 - fan grill
- [090] - 103339 - adjusting collar with grub screw
- [100] - 103550 - solenoid valve
- [110] - 34912 - semi-conductor relay 1-pole
- [120] - 34108 - clamp grey 3L 2.5qmm
- [120] - 34109 - clamp 3L blue 280-684
- [120] - 34110 - clamp 3L 2.5qmm 280-687
- [130] - 100840 - transformer

## Part: motor

### Part-Number: 36106

For improved baking results the Hanning Motor has two rotating directions and several speeds. In ovens with the IS Control the speed is regulated by the Triac setter. In ovens with a manual control the contactor regulates the speed. The motor is secured with 4 M 6 nuts. The distance sleeves screws that are fixed by locknuts must always have the same height. Tighten the nuts diagonally to avoid tension. The motor has a built in thermo protection (bimetal) that activates at 160° C and automatically resets when cooled down. When the motor protection is activated the motor function is interrupted.

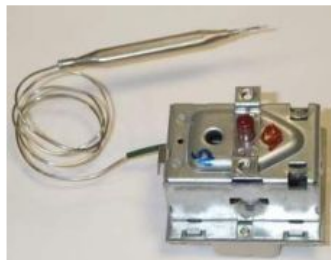


---

## Part: safety limit switch

### Part-Number: 102696

After transportation of the appliance please note that the safety temperature limiter (STB) automatically releases with temperatures under +8°C. To allow the appliance to acclimatize let it stand for 30 minutes at room temperature before re-setting the STB. The STB can be re-set as often as needed. Please note that the STB does not activate without reason ! Insulate the capillary tube (e.g. on the circuit board) on its critical spots with silicone hose Article number 40074.



---

## Part: suppressor element

### Part-Number: 33372

The suppressor element covers the solenoid valve. The prevents EMV disturbances to other components in the net.





## Part: screwing with spray nozzle

Part-Number: 102530



---

## Part: vaporizer

Part-Number: 102859

Please read the installation instructions for installing the rotation sprayer.



---

## Part: heating 2000 W

Part-Number: 103551

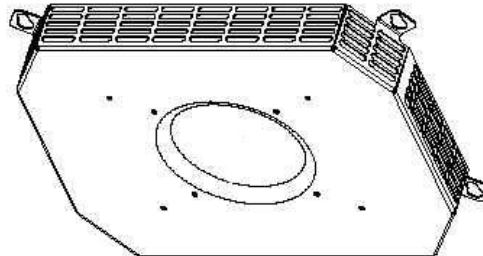
We recommend when installing the heater the securing screws are non-threading. Please make sure the heater is correctly situated so that the securing attachments fit through the fan wheel to be connected.



## Part: ventilation cover

**Part-Number: 105388**

Make sure at the end of working with the proofer that the fan cover and safety guard are correctly fastened otherwise there is a risk of injury.

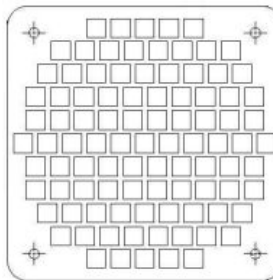


---

## Part: fan grill

**Part-Number: 105786**

Make sure at the end of working with the proofer that the fan cover and safety guard are correctly fastened otherwise there is a risk of injury.



---

## Part: adjusting collar with grub screw

**Part-Number: 103339**

The middle of the adjusting ring for the rotation sprayer of the motor axel. Please read the installation instructions of the rotation sprayer.



## Part: solenoid valve

**Part-Number: 103550**

It is necessary to clean the dirt sieve of the solenoid valve regularly. Particles in the water line will stick to the sieve and interrupt the water flow. Please note the maximum water pressure and other warnings from the data sheets regarding the water connection. The solenoid valve is a valve for the steaming filler as well as for the automatic cleaning process Pro Clean. The solenoid valve works with a flow pressure of 150 - 600 kPa. You can test the solenoid valve function in the PC - Tool - Test. Attention the test is a continued test and this function is not protected from overload.



---

## Part: semi-conductor relay 1-pole

**Part-Number: 34912**

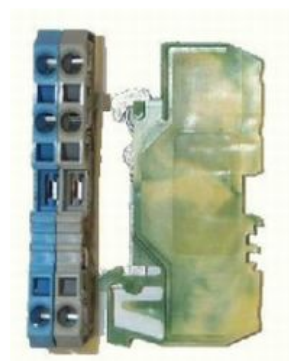
The solid state relay controls the heater. Depending on the temperature this will automatically switch it on or off. ( type can vary )



---

## Part: clamp grey 3L 2.5qmm

**Part-Number: 34108**



## Part: clamp 3L blue 280-684

Part-Number: 34109



---

## Part: clamp 3L 2.5qmm 280-687

Part-Number: 34110



---

## Part: transformer

Part-Number: 100840

The lighting transformer provides power to the baking chamber. The interior lighting is (2x12V/20W) Please note the wiring when removing/inserting. The wire should not come in contact with the circuit board. This may cause sporadic interference with the electronics.



## **Urheberrecht:**

Das Urheberrecht an diesem Servicehandbuch verbleibt bei der WIESHEU GmbH. Dieses Servicehandbuch ist nur für autorisierte Servicepartner und dessen Personal bestimmt. Sie enthält Vorschriften und Hinweise, die weder vollständig noch teilweise vervielfältigt, verbreitet oder anderweitig mitgeteilt werden dürfen.

Alle Darstellungen, Zeichnungen, Bilder Texte und Angaben sind urheberrechtlich geschützt. Sie unterliegen den gewerblichen Schutzrechten.

## **Zu diesem Servicehandbuch:**

Alle Abbildungen in diesem Dokument sollen die Verständlichkeit unterstützen. Die Abbildungen sind nicht maßstabsgerecht. Teilweise sind dem Originalprodukt ähnelnde Abbildungen dargestellt, die geringfügig abweichen können.

## **Achtung!**

Vermeiden Sie Fehlfunktionen oder Beschädigungen durch falsche Ersatzteile. Wir empfehlen die ausschließliche Verwendung von WIESHEU-Original-Ersatzteilen.

**Wiesheu GmbH**  
**Daimlerstrasse 10**  
**DE-71563 Affalterbach**  
**Telefon: +49 (0)7144 / 3 03-0**  
**Fax: +49 (0)7144 / 3 03-11**  
**Service-Telefon: 0800-WIESHEU**  
**E-Mail: [info@wiesheu.de](mailto:info@wiesheu.de)**  
**[www.wiesheu.de](http://www.wiesheu.de)**

Stand: 11/9/2012